

VELOSPIN 1000

HAND-SPIN WHEEL BALANCER

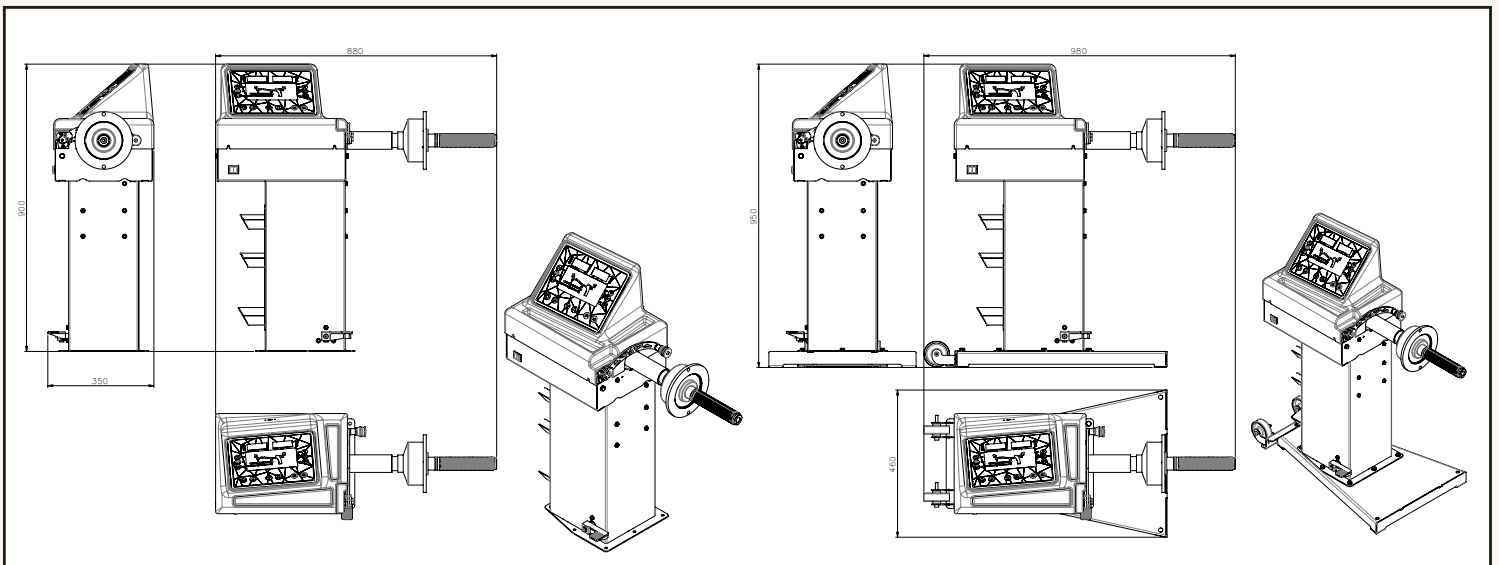
The velospin 1000 is the perfect wheel balancer for mobile tyre fitting services, or workshops with limited space.

It's a great accompaniment to the velomount Spacy tyre changer too. Designed to take up the minimum of space, this 'hand-spin' balancer has a high performance capability on a small footprint and at an affordable price point. It even boasts fully-automatic (3D) data input, achieved using traditional 2D input for the diameter and distance via the measuring arm, and a new, advanced software for the width.



SPECIFICATIONS

Power Supply:	240V 1Ph / 12V DC
Protection Class:	IP 54
Cycle Time of Wheel:	4.7 sec. (5¾"x14"), 15 kg
Balancing Speed:	< 120 rpm
Measurement Uncertainty:	±1 g
Average Noise:	< 70dB (A)
Rim Width Range:	1.5"-20" (40mm-510mm)
Wheel Diameter Range:	10"-30" (265mm-765mm)
Maximum Wheel Weight:	< 75kg
Machine Weight:	50kg



Available with or without base plate, depending on available space for installation.